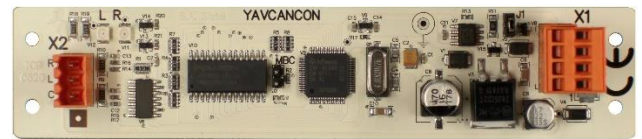


Features and benefits

- Fixture Identifier
- Rigged Device Under Tests Identifier
- Compatibility Code and variations
- Last time fixture used data
- Dual counters with Total cycles, cycles since last maintenance, present cycles for alarm
- CAN Bus control
- Two sensor inputs (Dry contact or active @24VDC)
- Non-volatile memory
- Operators Panel



Intelligence for your test fixtures

The YAVCANCON and YAVCANCON2 modules allow the test platform to identify the fixture and automatically select the corresponding executive test program, sending errors that can damage the system.

It also has two counters for the test cycles carried out, with non-volatile memory that keep the information even after a long

time outside the test platform. The counters have programming of the life cycles of the avian test tips when maintenance is required.

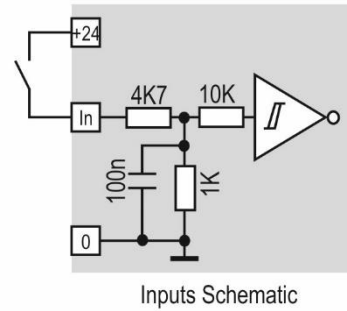
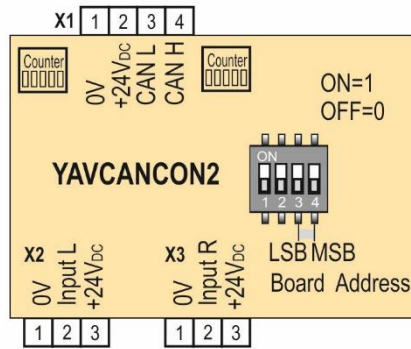
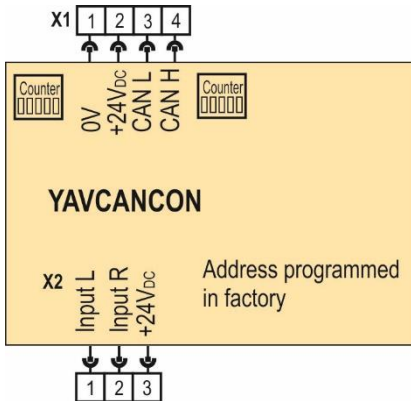
All information is available on the operating panel for LabView or TestStand.

Ordering Information

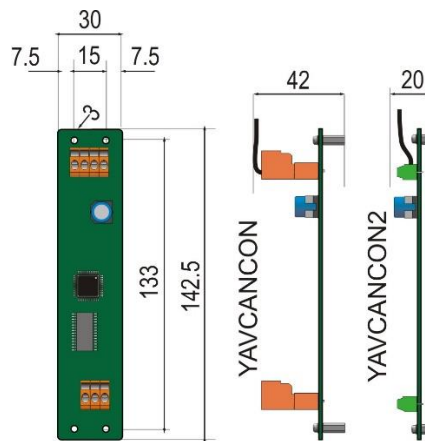
Part Number	Supply contents
YAVCANCON	2-Ch Cycles counter and Fixture ID. Fixed CAN Bus Address. Pluggable terminal blocks
YAVCANCON2	2-Ch Cycles counter and Fixture ID. Selectable CAN Bus Address- Dual input terminal blocks with power supply for active sensors

Specifications	Value	Units
Power	18 ... 36	Vdc
CAN Bus	2.0 50kB/s	

Electric Schematics



Dimensions



Operative Panel

