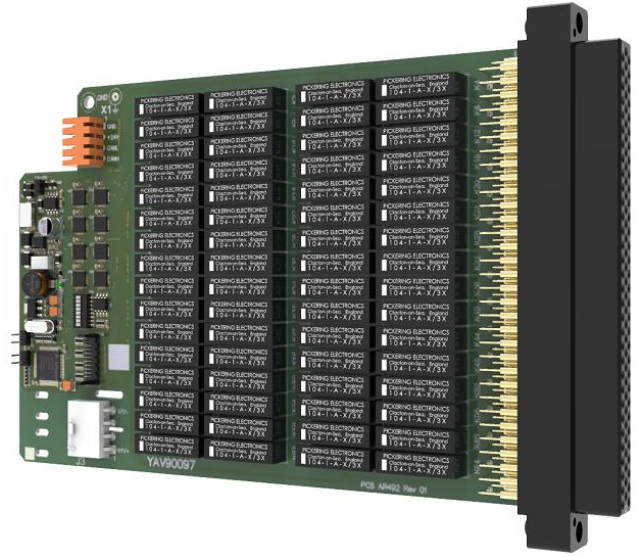




### Features and benefits

- 64 SPST up to 3.000V Stand-off 25W switching with error protection software interlock.
- 96-Pins VPC Tripaddle module loaded with 32 contacts
- HV power supply connector in the back side
- Virtual Operator Panel available
- NI Test Stands VIs and drivers
- CAN Bus control
- Size: Form G



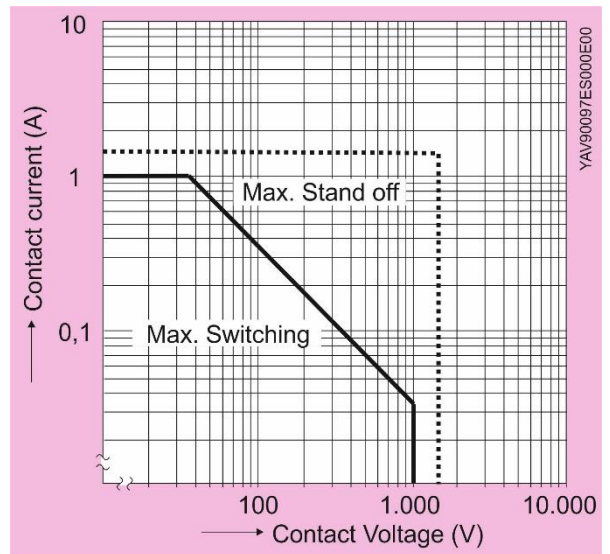
### Extending Hipot in your Automatic Test System

The YAV90097 high-voltage switching matrix extends the Hipot tests up to 32 measurement points.

It can work as a Hipot device switching system or as an extension of the YAV90HVT module, with the ability to manage the high voltage source.

To ensure the life of the relays, hot switching (High voltage activated) and loads with low power factor should be avoided.

Each of the relays has two associated cycle counters, added separately by the normal connection cycles and the short cycles, which can reduce the life of the relay, both counter values accessible from the software.

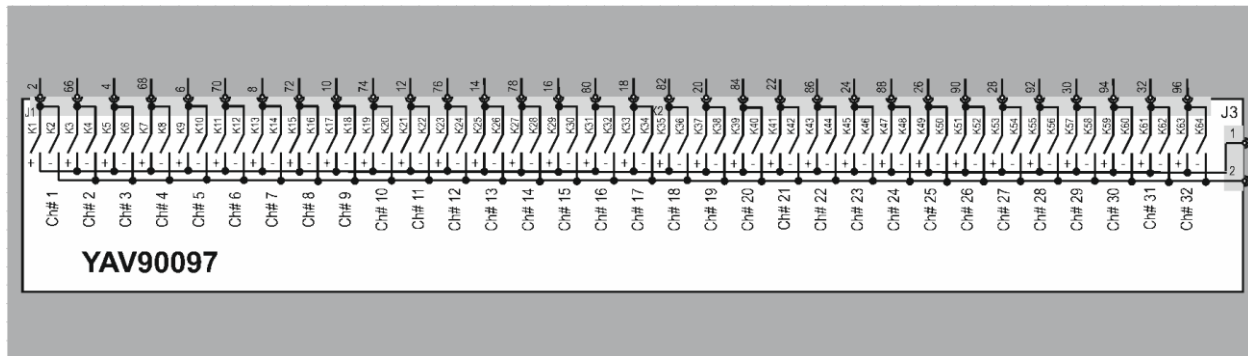


Parameter	Conditions	Min.	Typ.	Max.	Units
Module power supply voltage		20	24	26	V <sub>DC</sub>
Relays working voltage				1.000	V <sub>AC/DC</sub>
Relays Stand-off-voltage				3.000	V <sub>AC/DC</sub>
Switching current			1		A
Switching Power				25	W
Relays life expectancy	Resistive load		10 <sup>8</sup>		Operations

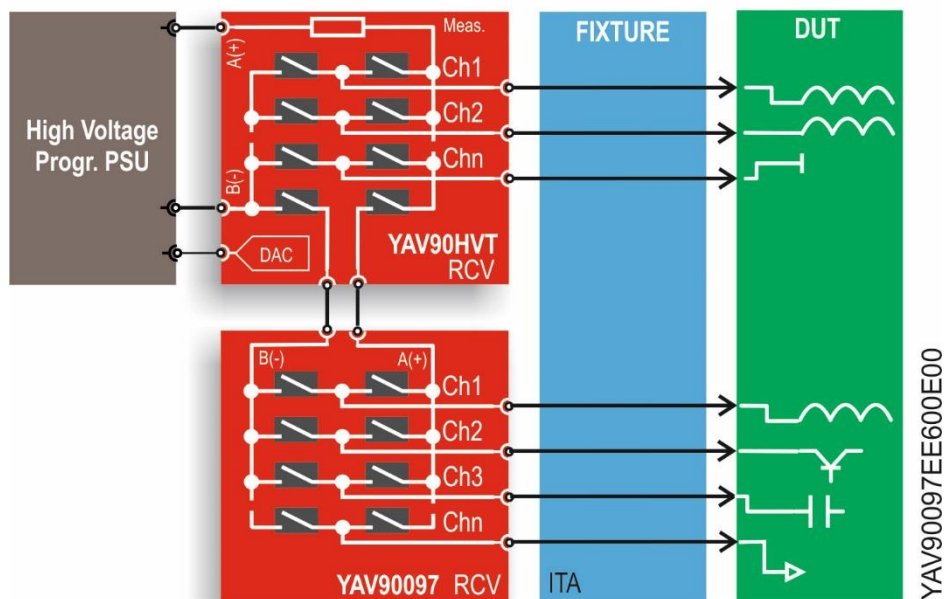
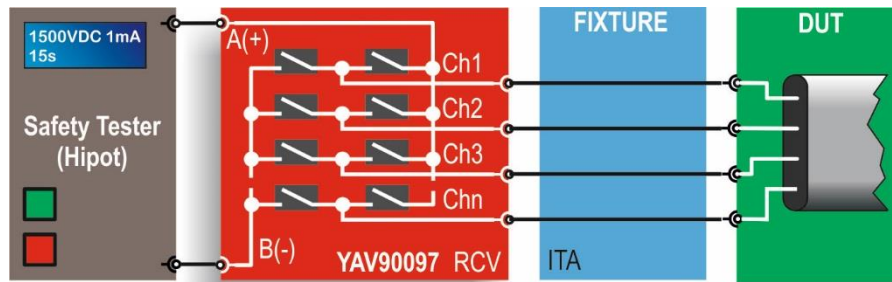
## Order information

Part Number	Supply contents
YAV90097	2x32 1.500V Matrix

## Connections Diagram



## Applications



## Spare parts and related products

Part Number	Supply contents
YAV90HVT	2x16 1500V Matrix and Hipot Sub-System
H19004300	3.000VDC Programmable power supply
H19004302	1.500VDC Programmable power supply
H19004301	1.000VDC Programmable power supply
H19004304	500VDC Programmable power supply
AR482	High Voltage cable (m)
340063	SPST HVI relay 104-1-A24/3D (Recambio)
VPC510108126	TriPaddle Module ITA 96 Pos.
VPC610110108	Tripaddle ITA contact 20-24 AWG 30u Gold
AR483	ITA Self-Test adapter module
AR555	Self-Test adapter disconnect tool

## ITA module and contacts



P/N VPC510108128



P/N VPC610110108

## ITA self-test adapter module

The Self-Test module is the necessary adapter to configure a fixture capable of automatically verifying the status of the relay contacts.

This module can also be used for manual card testing. In this case it is recommended to use the AL555 tool to perform a safe disconnection and avoid the risk of breakage of the connection modules if the alignment of the contacts is not guaranteed during the disconnection.



P/N AA483



P/N AL555

## Downloadable tools

- PhySis Drivers Labview Vis
- PhySis explorer

